

Material

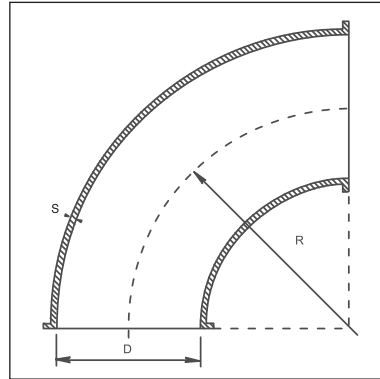
Pressed 1.0mm galvanised steel
Smooth internal bore reduces
pressure loss and wear

Sizes

Diameter: 80mm – 400mm
Bend angle: 7.5° to 90°
 $R = 1.5 \times D$

Pressed Bends

Code B



Dimensional specifications are given in the table below

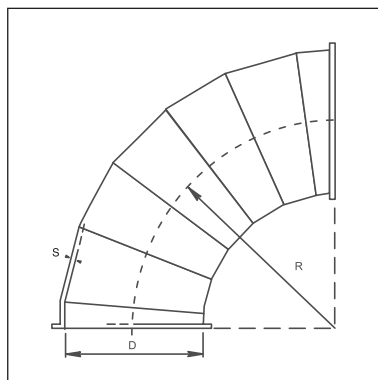
Dimensional Specifications

PRODUCT CODE	D mm	S mm	A	B	C	D	E	F
			90°	60°	45°	30°	15°	7.5°
			Weight - kg					
B80	80	1.00	0.40	0.30	0.20	0.15	0.08	0.05
B100	100	1.00	0.50	0.40	0.25	0.20	0.10	0.08
B125	125	1.00	0.90	0.65	0.45	0.35	0.17	0.12
B140	140	1.00	1.10	0.80	0.55	0.40	0.20	0.15
B150	150	1.00	1.20	0.90	0.60	0.50	0.25	0.20
B160	160	1.00	1.50	1.20	0.75	0.60	0.30	0.25
B180	180	1.00	2.00	1.50	1.00	0.80	0.40	0.30
B200	200	1.00	2.50	1.85	1.25	1.00	0.50	0.35
B225	225	1.00	3.20	2.40	1.60	1.20	0.60	0.37
B250	250	1.00	4.00	3.00	2.00	1.50	0.75	0.40
B275	275	1.00	4.80	3.60	2.40	1.80	0.90	0.43
B300	300	1.00	5.50	4.10	2.75	2.05	1.00	0.50
B315	315	1.00	5.90	4.50	2.95	2.25	1.12	0.55
B350	350	1.00	6.80	5.10	3.40	2.55	1.30	0.65
B400	400	1.00	9.50	7.10	4.75	3.60	1.80	0.90



Segmented Bends

Code B



Dimensional specifications are given in the table below

Dimensional Specifications

PRODUCT CODE	D mm	S mm	A	B	C	D	E	F	
			90°	60°	45°	30°	15°	7.5°	
			Weight - kg						
B325	325	0.90	6.30	4.70	3.20	2.40	1.20	0.60	
B375	375	0.90	8.40	6.30	4.20	3.20	1.60	0.80	
B425	425	0.90	10.80	8.10	5.40	4.00	2.00	1.00	
B450	450	0.90	12.00	9.00	6.00	4.50	2.25	1.10	
B475	475	0.90	13.50	10.10	6.80	5.10	2.50	1.25	
B500	500	0.90	15.00	11.20	7.50	5.60	2.80	1.40	
B550	550	0.90	18.00	13.50	9.00	6.80	3.40	1.70	
B600	600	0.90	21.50	16.10	10.75	8.05	4.00	2.00	
B630	630	0.90	22.40	16.80	11.20	8.40	4.20	2.10	
B650	650	0.90	25.00	18.80	12.50	9.40	4.70	2.35	
B700	700	0.90	29.00	21.80	14.50	10.90	5.40	2.70	
B750	750	0.90	33.00	24.80	16.50	12.40	6.20	3.10	
B800	800	1.00	37.50	28.10	18.75	14.05	7.00	3.50	
B850	850	1.00	42.50	32.00	21.25	16.00	8.00	4.00	
B900	900	1.00	48.00	36.00	24.00	18.00	9.00	4.50	
B950	950	1.00	53.00	39.80	26.50	20.00	10.00	5.00	
B1000	1000	1.00	59.00	44.00	29.50	22.00	11.00	5.50	

Material

Segmented galvanised steel bends

Sizes

Diameter: 450mm – 550mm
 Bend angle: 7.5° to 90°
 Other dimensions available to order
 $R = 1.5 \times D$

