

Standard Blast Gate

Code BG

Material

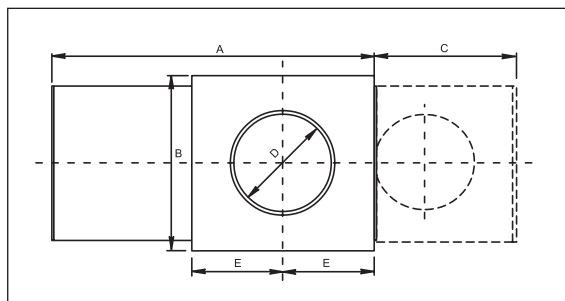
0.9mm galvanised steel with 2mm steel plate gate

Sizes

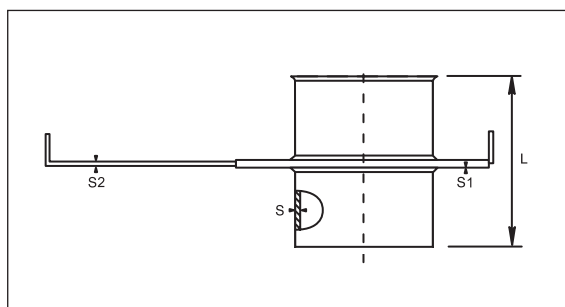
80mm to 300mm diameter

Operation

Manually operated



Description specifications of the diameter [D] are given in the table below



Description specifications of the length [L] are given in the table below

Dimensional Specifications

PRODUCT CODE	Inside diameter	Housing thickness	Gate thickness		Overall Length				Weight kg	
	D	S	S1	S2	A	B	C	E		L
	mm	mm	mm	mm	mm	mm	mm	mm	mm	
BG80	80	0.9	1.25	2.0	225	145	105	75	130	1.1
BG100	100	0.9	1.25	2.0	340	185	150	95	130	1.6
BG125	125	0.9	1.25	2.0	340	185	150	95	130	1.8
BG140	140	0.9	1.25	2.0	405	225	175	115	130	2.4
BG150	150	0.9	1.25	2.0	405	225	175	115	130	2.3
BG160	160	0.9	1.25	2.0	405	225	175	115	130	2.3
BG180	180	0.9	1.25	2.0	525	295	225	150	130	3.8
BG200	200	0.9	1.25	2.0	525	295	225	150	130	4.0
BG225	225	0.9	1.50	2.0	590	325	270	160	130	4.6
BG250	250	0.9	1.50	2.0	650	350	300	175	130	5.2
BG275	275	0.9	1.50	2.0	705	380	325	190	130	6.4
BG300	300	0.9	1.50	2.0	755	400	345	205	130	6.5
BG315	315	0.9	1.50	2.0	785	420	365	210	130	7.0
BG350	350	0.9	1.50	2.0	885	450	435	200	130	7.6
BG400	400	0.9	1.50	2.0	960	500	460	250	130	8.8
BG450	450	0.9	1.50	2.0	1050	550	500	275	130	10.0
BG500	500	0.9	1.50	2.0	1160	600	550	300	130	11.5

