

Material

0.9mm galvanised steel with 2mm steel plate gate and flex connection

Sizes

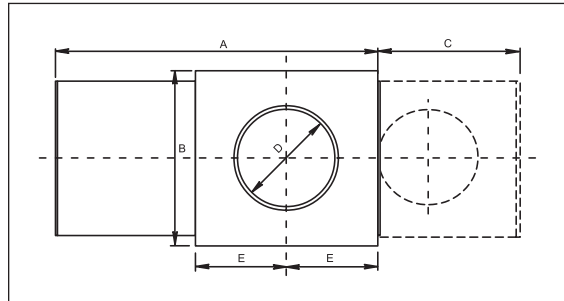
80mm to 200mm diameter

Operation

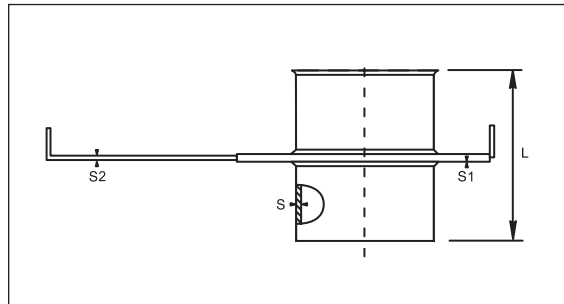
Manually operated

Standard Blast Gate Hosetail

Code *BGHT*



Description specifications of the diameter (D) are given in the table below



Description specifications of the length (L) are given in the table below

Dimensional Specifications

PRODUCT CODE	Inside diameter	Housing thickness	Gate thickness						Overall Length	Weight kg
	D mm	S mm	S1 mm	S2 mm	A mm	B mm	C mm	E mm	L mm	
BGHT80	80	0.9	1.25	2.0	225	145	105	75	130	1.1
BGHT100	100	0.9	1.25	2.0	340	185	150	95	130	1.6
BGHT125	125	0.9	1.25	2.0	340	185	150	95	130	1.8
BGHT150	150	0.9	1.25	2.0	405	225	175	115	130	2.3
BGHT200	200	0.9	1.25	2.0	525	295	225	150	130	4.0

