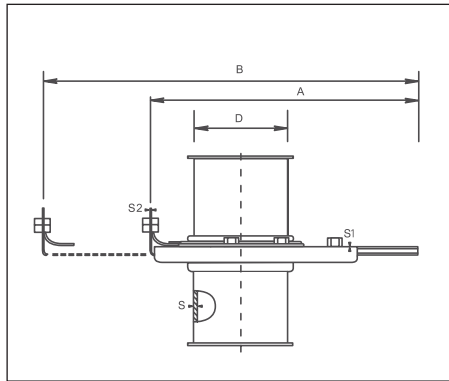
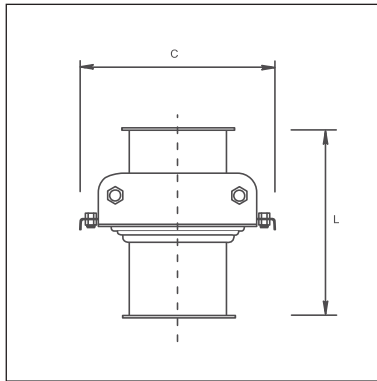


Sealed Blast Gate

Code BGS (to 200mm diameter)



Dimensional specifications are given in the table below

Dimensional Specifications

PRODUCT CODE	Inside diameter		Housing thickness		Gate thickness			Overall Length	Weight kg
	D	S	S1	S2	A	B	C	L	
	mm	mm	mm	mm	mm	mm	mm	mm	
BGS80	80	0.9	1.25	1.5	225	320	160	135	1.2
BGS100	100	0.9	1.25	1.5	265	380	190	135	1.5
BGS125	125	0.9	1.25	2.0	325	460	215	135	2.1
BGS140	140	0.9	1.25	2.0	375	540	240	135	2.9
BGS150	150	0.9	1.25	2.0	375	540	240	135	2.9
BGS160	160	0.9	1.25	2.0	405	585	250	135	3.2
BGS180	180	0.9	1.25	2.0	455	655	290	135	4.1
BGS200	200	0.9	1.25	2.0	485	705	300	135	4.4

Material

Galvanised steel, with steel plate gate and polyether PEHD gaskets

Sizes

80mm – 200mm

Operation

Manually operated

