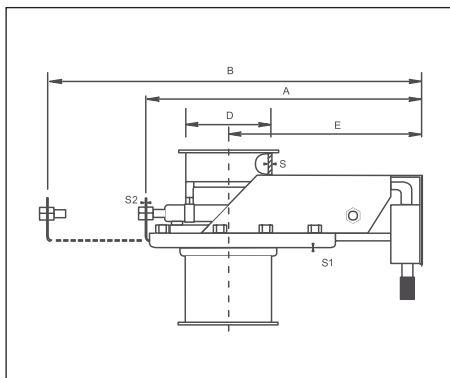
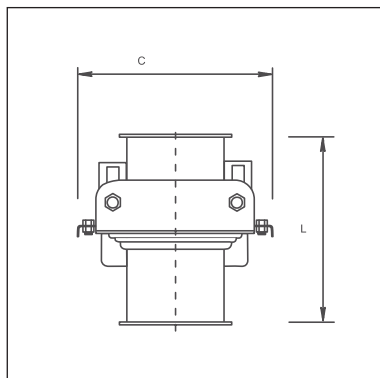


Pneumatic Blast Gate

Code BG(size)SP



Dimensional specifications are given in the table below

Dimensional Specifications

PRODUCT CODE	D mm	A mm	B mm	C mm	E mm	F mm	Weight kg
BG80SP	80	125	160	225	55	250	3.0
BG100SP	100	125	180	265	55	290	3.3
BG125SP	125	125	205	315	55	340	4.0
BG150SP	150	125	230	365	55	390	5.0
BG200SP	200	125	280	465	55	490	6.2
BG225SP	225	165	345	565	77	585	11.3
BG250SP	250	165	370	565	77	585	13.5

Material

Zinc plated steel with flexible rubber gaskets and sealing rings

Sizes

80mm to 250mm

Operation

Pneumatic, 5 to 8 bar

Normal working pressure 0.6mpa

