

Material

Galvanised steel, with steel plate gate and polyether PEHD gaskets

Sizes

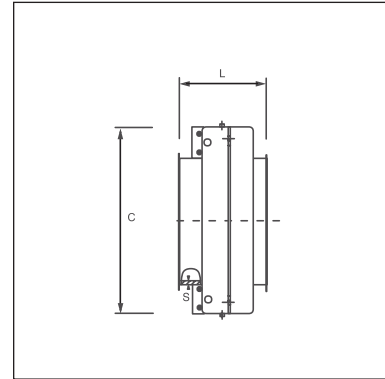
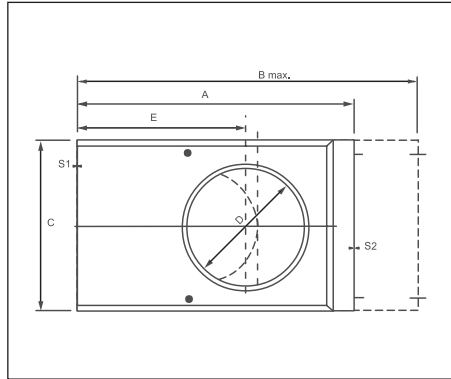
225mm to 400mm

Operation

Manually operated

Sealed Blast Gate

Code *BGS* (225mm – 400mm)



Dimensional Specifications

PRODUCT CODE	Inside diameter	Housing thickness		Gate thickness		Overall Length			Weight kg	
	D mm	S mm	S1 mm	S2 mm	A mm	B max mm	C mm	L mm		E mm
BGS225	225	1.5	1.5	2.5	580	830	360	190	390	11.0
BGS250	250	1.5	1.5	2.5	660	960	385	190	455	12.9
BGS275	275	2.0	2.0	3.0	680	980	410	190	465	17.8
BGS300	300	2.0	2.0	3.0	725	1045	435	190	495	18.9
BGS315	315	2.0	2.0	3.0	855	1255	485	190	600	25.1
BGS350	350	2.0	2.0	3.0	855	1255	485	190	600	23.3
BGS400	400	2.0	2.5	3.0	1005	1505	545	190	725	35.9
BGS450	450	2.0	2.5	3.0	1055	1555	595	190	750	39.6
BGS500	500	2.0	2.0	2.0	1140	1670	645	190	805	50.5

