

Material

2mm fully welded galvanised steel and 3mm fully welded galvanised steel available as a special product

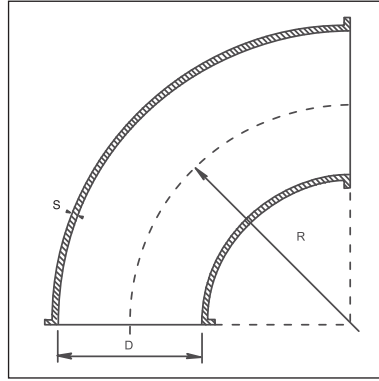
Sizes

100mm to 400mm diameter
Bend angle: 15° to 90°

Heavy Wall Pressed Bends

Code *BH* for 2mm

Code *BXH* for 3mm



Dimensional specifications are given in the table below

Dimensional Specifications

PRODUCT CODE	D mm	S mm	A	B	C	D	E
			90°	60°	45°	30°	15°
Weight - kg							
BH100	100	2.0	1.2	0.9	0.6	0.4	0.2
BH125	125	2.0	2.0	1.3	1.0	0.7	0.4
BH150	150	2.0	2.9	2.0	1.4	1.0	0.5
BXH150	150	3.0	4.3	3.0	2.2	1.5	0.8
BH180	180	2.0	4.1	2.7	2.1	1.4	0.7
BXH180	180	3.0	6.2	4.1	3.1	2.1	1.1
BH200	200	2.0	5.0	3.4	2.5	1.7	0.7
BXH200	200	3.0	7.5	5.1	3.7	2.5	1.3
BH250	250	2.0	7.6	5.2	3.8	2.6	1.4
BH300	300	2.0	11.2	7.5	5.6	3.8	1.9
BH350	350	2.0	15.7	10.4	7.8	5.2	2.6
BH400	400	2.0	19.6	13.1	9.8	6.5	3.3

