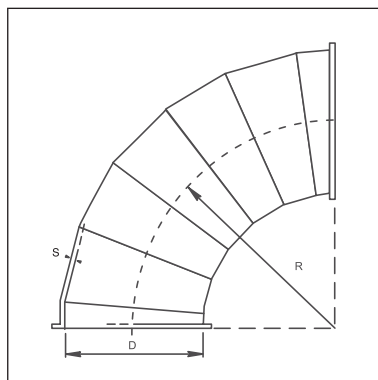


Segmented Bends

Code B



Dimensional specifications are given in the table below

Dimensional Specifications

PRODUCT CODE	D mm	S mm	A	B	C	D	E	F	
			90°	60°	45°	30°	15°	7.5°	
			Weight - kg						
B325	325	0.90	6.30	4.70	3.20	2.40	1.20	0.60	
B375	375	0.90	8.40	6.30	4.20	3.20	1.60	0.80	
B425	425	0.90	10.80	8.10	5.40	4.00	2.00	1.00	
B450	450	0.90	12.00	9.00	6.00	4.50	2.25	1.10	
B475	475	0.90	13.50	10.10	6.80	5.10	2.50	1.25	
B500	500	0.90	15.00	11.20	7.50	5.60	2.80	1.40	
B550	550	0.90	18.00	13.50	9.00	6.80	3.40	1.70	
B600	600	0.90	21.50	16.10	10.75	8.05	4.00	2.00	
B630	630	0.90	22.40	16.80	11.20	8.40	4.20	2.10	
B650	650	0.90	25.00	18.80	12.50	9.40	4.70	2.35	
B700	700	0.90	29.00	21.80	14.50	10.90	5.40	2.70	
B750	750	0.90	33.00	24.80	16.50	12.40	6.20	3.10	
B800	800	1.00	37.50	28.10	18.75	14.05	7.00	3.50	
B850	850	1.00	42.50	32.00	21.25	16.00	8.00	4.00	
B900	900	1.00	48.00	36.00	24.00	18.00	9.00	4.50	
B950	950	1.00	53.00	39.80	26.50	20.00	10.00	5.00	
B1000	1000	1.00	59.00	44.00	29.50	22.00	11.00	5.50	

Material

Segmented galvanised steel bends

Sizes

Diameter: 450mm – 550mm

Bend angle: 7.5° to 90°

Other dimensions available to order

R = 1.5 x D

