

**Material**

0.9mm galvanised steel

**Sizes**

Manufactured to order

**Dimensions**

Customer to specify A, B & C. Please note that options are limited by the fact that  $A = C$  &  $A \geq B$

The branch determines the length L1. The duct entry can only be fitted to straight duct with the branch placed centrally on the plate

If  $B < 300$ :  $X = 50$ mm  
 If  $B > 300$ :  $X = 100$ mm

**Calculations**

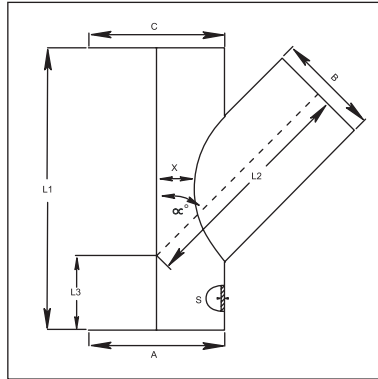
$L1$  = See table  
 $L2 = 1/2 - (L1 - (A/\text{tg } \alpha))$   
 $L3 = ((L1-L2)/\cos \alpha) - ((B/2) \times \text{tg } \alpha)$

**Example**

$A = 550$ ,  $B=500$ ,  $C=550$   
 $L1 = 1050$ mm  
 $L2 = 0.5 - (1050 - (500/\text{tg } 44.8))$   
 $= 0.5 - (1050 - 553.85)$   
 $L2 = -495.65 \sim -496$ mm  
 $L3 = ((1050 - 496)/\cos 44.8) - ((550/2) \times \text{tg } 44.8) = 2178.78 - 248.26$   
 $L3 = 1930.52 \sim 1931$ mm

## 45° Duct Entries

CODE DE45



Dimensional specifications are given in the table below

### Dimensional Specifications

A mm	B mm	C mm	L1 mm	L2 mm	L3 mm	$\alpha^\circ$	S mm
Choose (100 - 1000)	80	Choose (100 - 1000)	300	Calculated	Calculated	43.8	0.90
	100		300			43.8	0.90
	120		350			44.0	0.90
	125		350			44.0	0.90
	140		350			44.1	0.90
	150		400			44.2	0.90
	160		400			44.2	0.90
	180		400			44.3	0.90
	200		450			44.4	0.90
	225		500			44.5	0.90
	250		500			44.5	0.90
	275		600			44.6	0.90
	300		600			44.6	0.90
	315		600			44.6	0.90
	350		700			44.7	0.90
	400		800			44.7	0.90
	450		950			44.7	0.90
	500		1050			44.8	0.90
550	1150	44.8	0.90				
600	1250	44.8	0.90				
650	1250	44.8	0.90				
700	1300	44.8	0.90				
750	1300	44.8	0.90				
800	1450	44.8	0.90				
850	1450	44.9	0.90				
900	1650	44.9	0.90				

