

Material

Pressed steel plate, painted, with 2mm steel plate damper and brass bearings

Sizes

100mm to 300mm

Operation

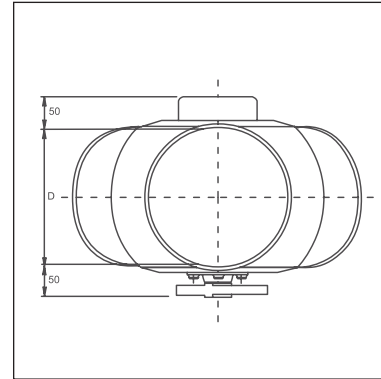
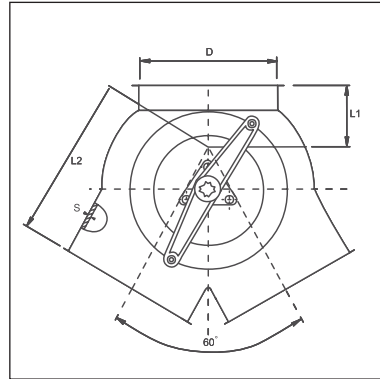
Manually operated
Also available with pneumatic or electric operation as optional accessories

Note

These diverters can be adjusted to 45° operation through fitting a SpeedLock 15° bend to the inlet and one outlet

60° Trouser Type Diverter Valves

Code *DVTM*



Dimensional specifications are given in the table below

Dimensional Specifications

PRODUCT CODE	Inside diameter	Housing thickness		Overall Length		Weight kg
	D	S	L1	L2		
	mm	mm	mm	mm		
DVTM100	100	1.5	70	145	2.0	
DVTM125	125	1.5	90	170	3.9	
DVTM150	150	2.0	100	190	5.6	
DVTM180	180	2.0	195	315	10.6	
DVTM200	200	2.0	110	230	7.9	
DVTM250	250	2.0	135	270	12.5	
DVTM300	300	2.0	160	325	18.3	

