

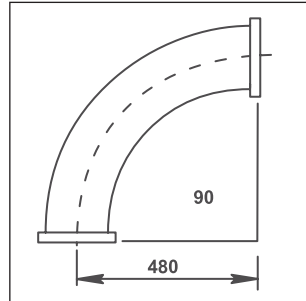
Material

1.5mm galvanised steel with fully rolled edges

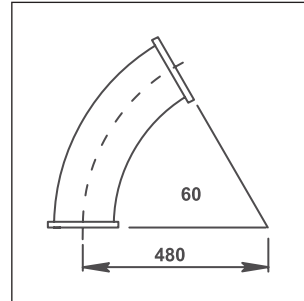
Sizes

160mm diameter
Available in angles from 15° to 90°
Bend radius is 480mm or
 $R = 3 \times D$

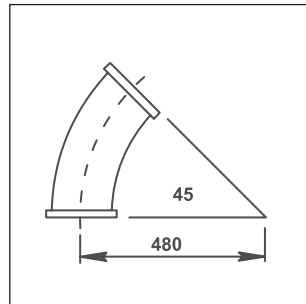
Grain Duct Pressed Bends



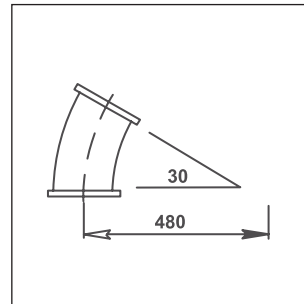
90° bends, grey



60° bends, grey



45° bends, grey



30° bends, grey

Dimensional Specifications

PRODUCT CODE	Degree Bend
GB160A	90°
GB160B	60°
GB160C	45°
GB160D	30°
GB160E	15°

