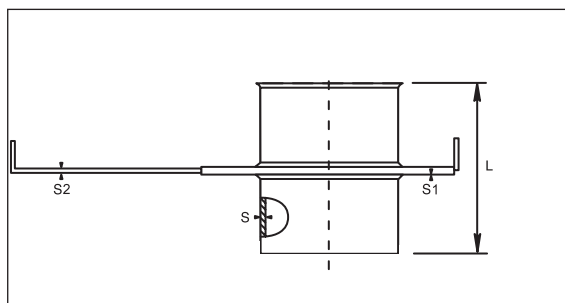
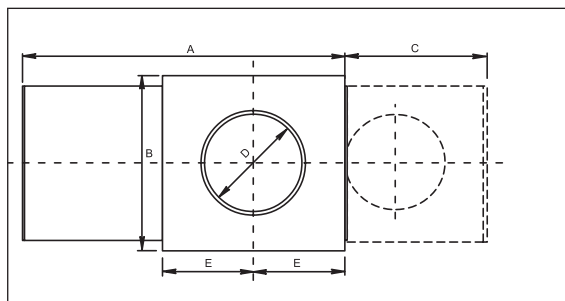


Grain Duct Blast Gates



Dimensional Specifications

D	S	S1	S2	A	B	C	E	L	Weight
mm	mm	mm	mm	mm	mm	mm	mm	mm	kg
160	0.90	1.25	2.00	405	225	175	115	130	2.30

Material

0.9mm galvanised steel with 2mm steel plate gate

Size

160mm diameter

Operation

Manually operated

