

Material

Galvanised steel, with steel plate gate and polyether PEHD gaskets

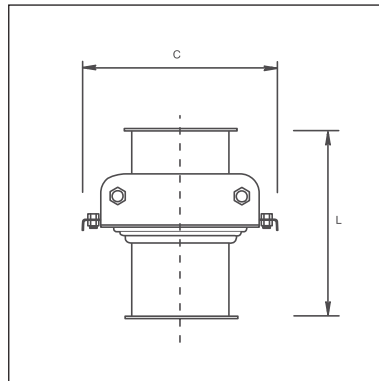
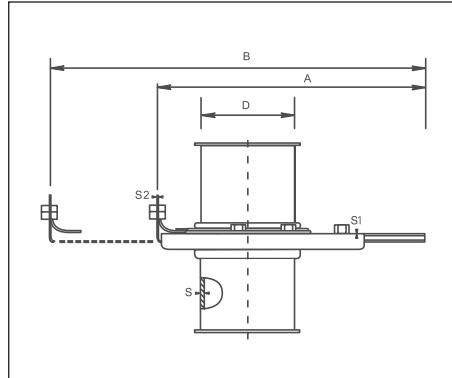
Sizes

160mm

Operation

Manually operated

Grain Duct Sealed Blast Gates



Dimensional Specifications

PRODUCT CODE	Inside diameter	Housing thickness		Gate thickness		A	B	C	Overall Length	Weight kg
	D	S	S1	S2	L					
	mm	mm	mm	mm	mm	mm	mm	mm	mm	
BGS160	160	0.9	1.25	2.0	405	585	250	135	3.2	