

**Material**

Pressed steel plate, painted, with 2mm steel plate damper and brass bearings

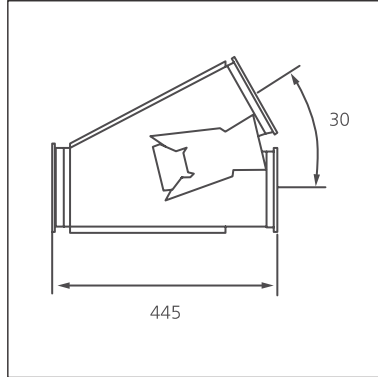
**Sizes**

100mm to 300mm

**Operation**

Manually operated  
Also available with pneumatic or electric operation

## Grain Duct Branch Type Diverter Valve



**Material**

Pressed steel plate, painted, with 2mm steel plate damper and brass bearings

**Operation**

Manually operated  
Also available with pneumatic or electric operation

## Grain Duct Trouser Type Diverter Valve

