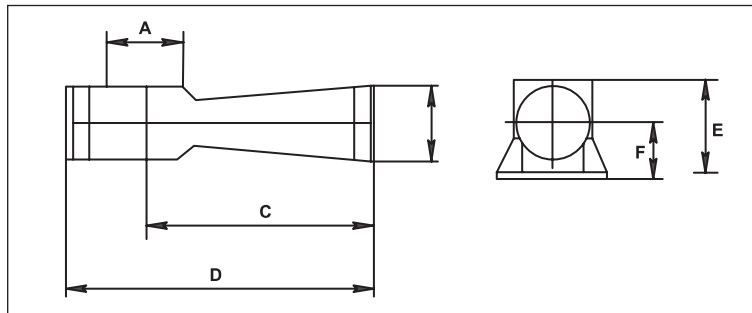


## Grain Duct Injector



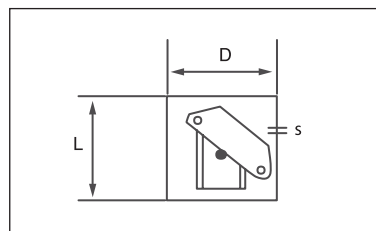
### Material

2mm steel plate, painted

### Variants

Available in four internal venturi sizes to allow flow control

## Grain Duct Throttle Valve



Dimensional specifications are given in the table below

### Material

0.9mm galvanised steel with double plate damper

### Sizes

160mm

### Operation

Manually operated, with continuously variable opening settings. 96% maximum closure.

## Dimensional Specifications

PRODUCT CODE	Inside diameter D	Housing thickness S	Gate thickness mm	Overall Length L	Weight kg
TV160	160	0.9	1.8	170	1.35

