

### Material

Cast iron casing and end plates painted in high gloss enamel, with six armed mild steel rotor and nylon or vulkolan vanes  
Direct coupled rotor shaft with flanged bearing

### Sizes

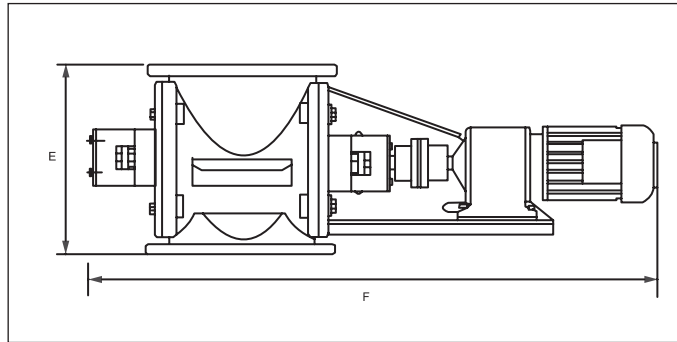
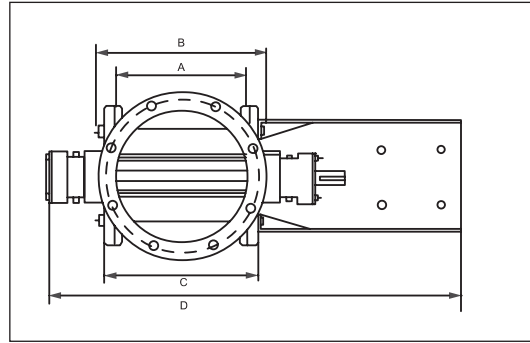
250mm and 350mm

### Available variants

Eight armed rotor – airtight to 4000mm WG (standard 500mm WG)  
High temperature bearings – up to 250 °C  
Stainless steel rotor

## High Pressure Rotary Valves

Code HPRV



### Dimensional Specifications

PRODUCT CODE	A mm	B mm	C mm	D mm	E mm	F mm	Weight kg	Capacity at 32rpm, 70% full pockets m <sup>3</sup> /h
HPRV250	250	320	290	799.5	330	970	120	8.75
HPRV350	350	420	390	904.5	400	1124.5	145	27.75