

Eximo SpeedLock

Jet Cap

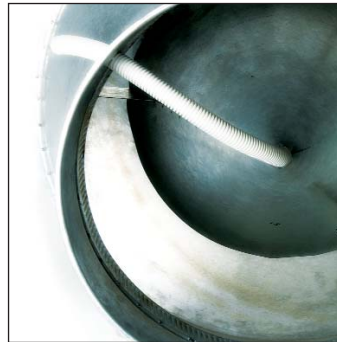
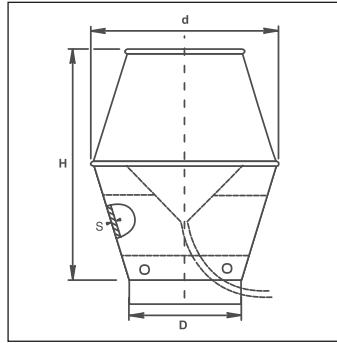
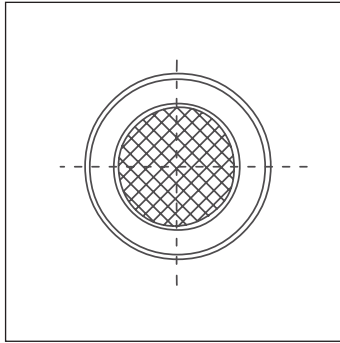
Code JC

Material

Galvanised steel
Fitted with bird mesh, cone and
water outlet

Sizes

80mm to 1000mm
Manufactured to order



Dimensional Specifications

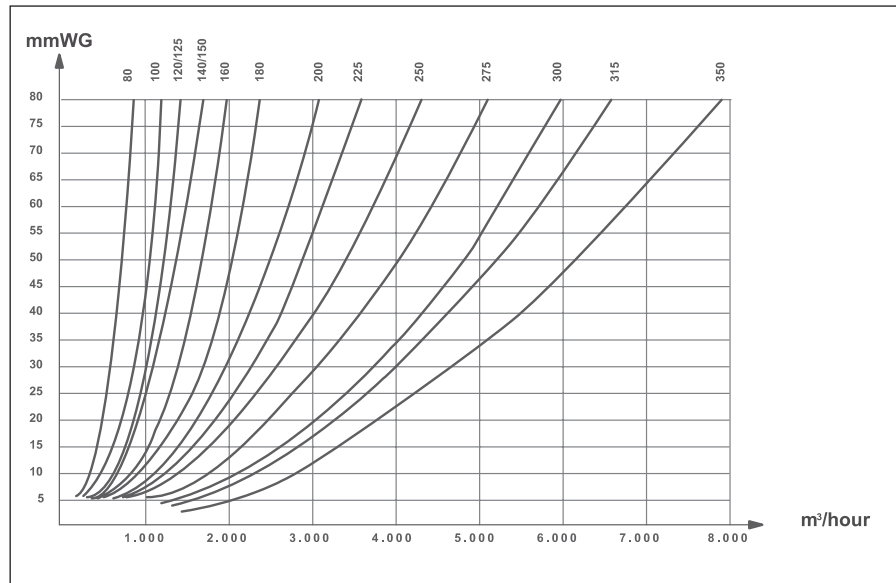
PRODUCT CODE	Diameter (D)mm	Diameter (d)mm	Height (H) mm	S mm	Weight kg
JC80	80	140	260	0.75	1.0
JC100	100	165	280	0.75	1.5
JC125	125	195	340	0.75	2.0
JC150	150	230	390	0.90	2.5
JC160	160	245	410	0.90	3.0
JC180	180	275	445	0.90	3.5
JC200	200	305	490	0.90	4.0
JC225	225	345	535	0.90	5.0
JC250	250	380	590	0.90	6.0
JC275	275	420	640	0.90	7.0
JC300	300	460	690	0.90	8.0
JC315	315	480	720	0.90	9.0
JC350	350	535	785	0.90	10.0
JC400	400	610	885	0.90	15.0
JC450	450	690	985	0.90	18.0
JC500	500	765	1095	0.90	24.0
JC550	550	840	1200	0.90	29.0
JC600	600	915	1300	0.90	32.0
JC630	630	960	1360	0.90	35.0
JC650	650	990	1390	0.90	37.0
JC700	700	1070	1505	1.25	58.5
JC750	750	1145	1595	1.25	67.0
JC800	800	1220	1695	1.25	75.5
JC850	850	1295	1795	1.25	86.0
JC900	900	1375	1900	1.25	96.0
JC950	950	1450	1975	1.25	105.0
JC1000	1000	1525	2000	1.25	117.0



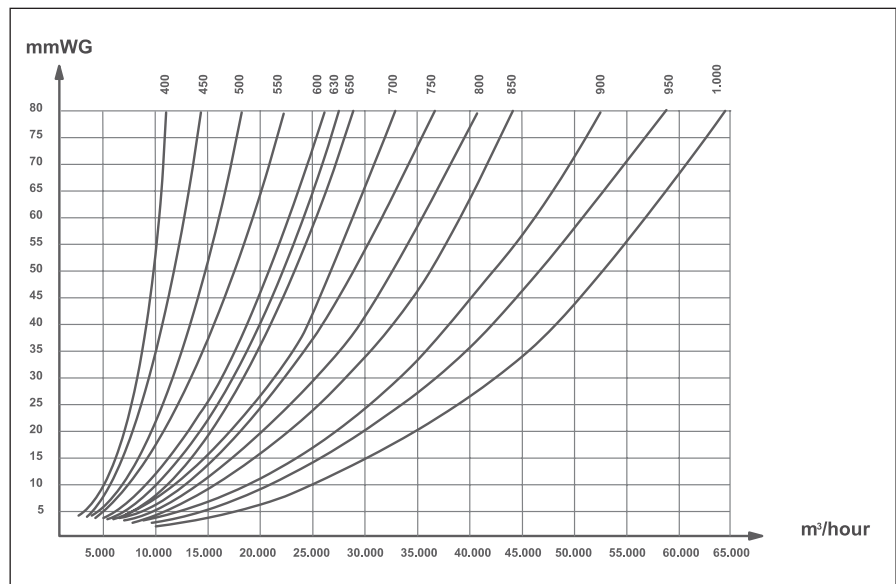
Jet Cap

Code JC

Pressure Loss Tables



Pressure drop curves for diameter 90 - 350mm.



Pressure drop curves for diameter 400 - 1000mm.

