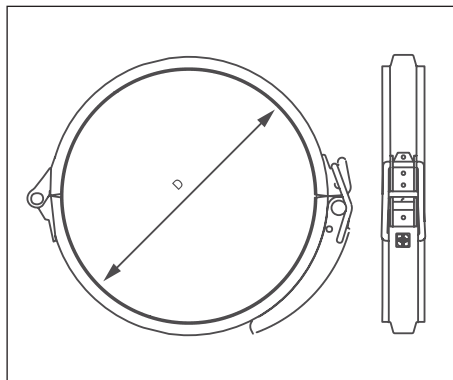


Eximo SpeedLock

Heavy Lever Lock Rings

Code LLH



Dimensional specifications are given in the table below

Dimensional Specifications

PRODUCT CODE	D mm
LLH100	100
LLH125	125
LLH150	150
LLH180	180
LLH200	200
LLH225	225
LLH250	250
LLH275	275
LLH300	300
LLH350	350
LLH400	400
LLH450	450

Material

Galvanised steel, hinged, with rubber seal and quick release lever lock

Sizes

100mm to 450mm diameter

