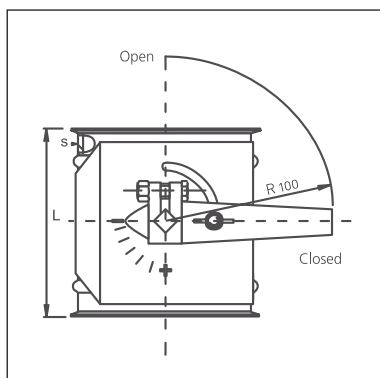


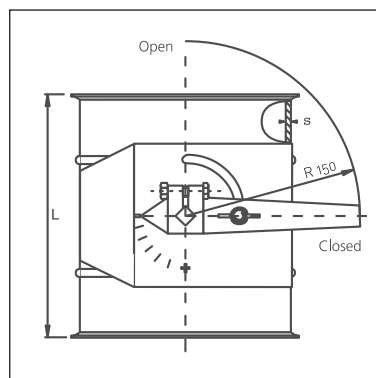
EximoSpeedLock

Throttle Valves

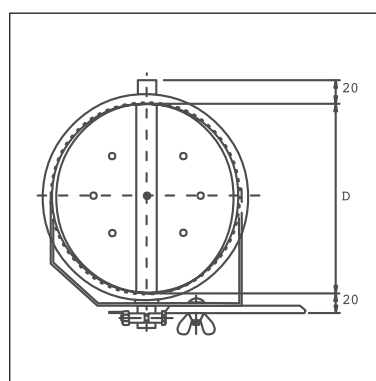
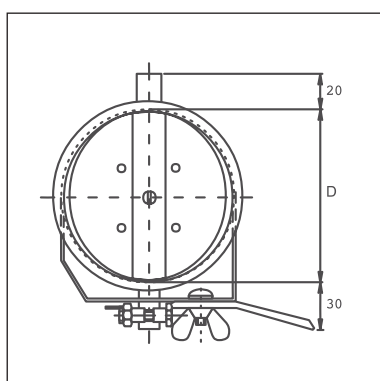
Code TV



Diameter: 80mm - 100mm



Diameter: 180mm - 400mm



Dimensional specifications are given in the table below

Dimensional Specifications

| PRODUCT CODE | Inside diameter | Housing thickness | Gate thickness | Overall Length | Weight kg |
|--------------|-----------------|-------------------|----------------|----------------|-----------|
| | D | S | mm | L | |
| | mm | mm | mm | mm | |
| TV80 | 80 | 0.9 | 1.8 | 125 | 0.65 |
| TV100 | 100 | 0.9 | 1.8 | 125 | 0.75 |
| TV125 | 125 | 0.9 | 1.8 | 135 | 0.95 |
| TV140 | 140 | 0.9 | 1.8 | 170 | 1.15 |
| TV150 | 150 | 0.9 | 1.8 | 170 | 1.25 |
| TV160 | 160 | 0.9 | 1.8 | 170 | 1.35 |
| TV180 | 180 | 0.9 | 1.8 | 210 | 1.90 |
| TV200 | 200 | 0.9 | 1.8 | 210 | 2.20 |
| TV225 | 225 | 0.9 | 1.8 | 240 | 2.55 |
| TV250 | 250 | 0.9 | 1.8 | 265 | 3.05 |
| TV275 | 275 | 0.9 | 1.8 | 290 | 3.50 |
| TV300 | 300 | 0.9 | 1.8 | 315 | 4.30 |
| TV315 | 315 | 0.9 | 1.8 | 330 | 4.30 |
| TV350 | 350 | 0.9 | 1.8 | 365 | 4.95 |
| TV400 | 400 | 0.9 | 1.8 | 415 | 6.90 |
| TV450 | 450 | 0.9 | 1.8 | | |
| TV500 | 500 | 0.9 | 1.8 | | |

Material

0.9mm galvanised steel with double plate damper

Sizes

80mm to 500mm

Operation

Manually operated, with continuously variable opening settings. 96% maximum closure.

Options

Can be fitted with electric or pneumatic operation as an optional accessory. Please ask us for specifications

