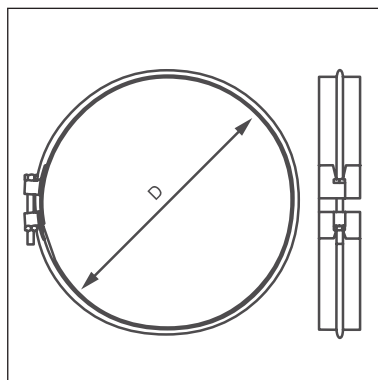


Wide Lock Ring

Code WL



Dimensional specifications are given in the table below

Dimensional Specifications

PRODUCT CODE	D mm	Weight / 10 pcs kg
WL200	200	2.50
WL225	225	3.00
WL250	250	3.50
WL275	275	4.00
WL300	300	4.50
WL315	315	4.70
WL350	350	5.00
WL400	400	5.50
WL450	450	6.00
WL500	500	6.50
WL550	550	7.00
WL600	600	7.50
WL630	630	7.80
WL650	650	8.00

Material

Two piece galvanised steel lock ring with nut and bolt closure
For use with large diameter ducting

Sizes

200mm to 650mm diameter

Options

Available with
RED - liner standard for use up to 60°C
BLACK - liner for use up to 100°C
GREY - liner for use up to 200°C

