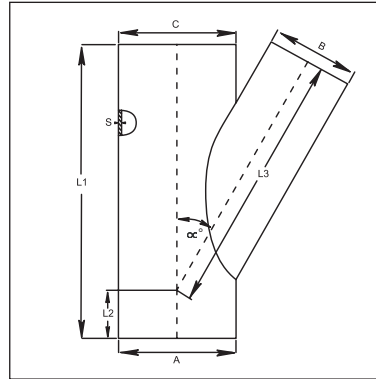


30° Straight Branch Pieces

Code BPS30



Dimensional specifications are given in the table below

Dimensional Specifications

A=C mm	B mm	L1 mm	L2 mm	L3 mm	α°	S mm
Choose (100 - 1000)	80	350	Calculated	Calculated	28.0	0.90
	100	350			28.8	0.90
	120	350			28.8	0.90
	125	400			29.0	0.90
	140	450			29.1	0.90
	150	450			29.2	0.90
	160	450			29.2	0.90
	180	550			29.3	0.90
	200	550			29.3	0.90
	225	600			29.4	0.90
	250	750			29.5	0.90
	275	750			29.6	0.90
	300	750			29.6	0.90
	315	850			29.6	0.90
	350	950			29.6	0.90
	400	1050			29.7	0.90
	450	1250			29.7	0.90
	500	1250			29.7	0.90
	550	1250			29.8	0.90
	600	1450			29.8	0.90
630	1650	29.8	0.90			
650	1650	29.8	0.90			
700	1650	29.8	0.90			
750	1850	29.9	0.90			
800	1850	29.9	0.90			
850	2050	29.9	0.90			
900	2050	29.9	0.90			

Material

0.9mm galvanised steel

Sizes

Common sizes are a stock item
Special requirements are
manufactured to order

Dimensions

When placing an order, the
measurements for A, B & C
must be stated. Please note that
the options are limited by the fact
that $A = C$ & $A \geq B$

