

Material

stainless steel

Sizes

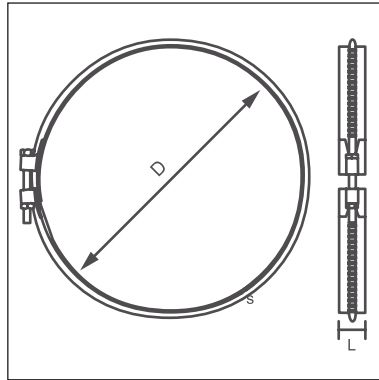
32mm to 300mm diameter

Note

Smooth band to protect hoses and a strong torque rating

Worm Drive Clamps

Code WDCS for stainless steel clamps



Dimensional specifications are given in the table below

Dimensional Specifications

PRODUCT CODE	D mm	L mm	S mm
WDCG32	30-40	17	0.7
WDCG50	40-55	17	0.7
WDCG65	55-70	17	0.7
WDCG80	70-90	17	0.7
WDCG100	90-120	17	0.7
WDCG125	120-140	17	0.7
WDCG150	140-160	17	0.7
WDCG200	205-230	17	0.7
WDCG225	230-255	17	0.7
WDCG250	255-280	17	0.7
WDCG300	280-305	17	0.7

