

Flanges

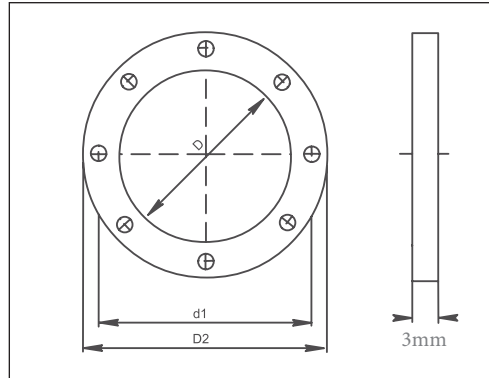
Code F (Galvanised)

Material

Hot galvanised flat iron

Sizes

80mm to 1250mm diameter



Dimensional specifications are given in the table below

Dimensional Specifications

PRODUCT CODE	Duct		Flange		b Width of flange mm	Size of hole mm	n Number of holes	Weight kg
	Diameter nominal	D mm	d1 mm	D2 mm				
F80	80	83	115	133	25	9	8	0.263
F100	100	103	135	153	25	9	8	0.313
F125	125	128	160	178	25	9	8	0.378
F140	140	143	175	193	25	9	8	0.412
F150	150	155	185	205	25	9	8	0.545
F160	160	165	195	215	25	9	8	0.576
F180	180	185	215	235	25	9	8	0.638
F200	200	205	235	255	25	9	12	0.700
F225	225	230	260	280	25	9	12	0.750
F250	250	255	285	305	25	9	12	0.854
F275	275	280	310	330	25	9	12	0.958
F300	300	305	336	355	25	9	12	1.008
F315	315	320	351	370	25	9	12	1.258
F325	325	330	360	380	25	9	12	1.460
F350	350	355	389	415	30	11	12	1.839
F375	375	380	424	440	30	9	12	1.680
F400	400	405	439	465	30	11	16	2.080
F425	425	430	462	440	30	11	16	1.900
F450	450	455	389	515	30	11	16	2.321
F475	475	480	515	540	30	11	16	2.130
F500	500	505	540	565	30	11	16	2.561
F550	550	535	590	615	30	11	16	2.802
F600	600	605	640	665	30	11	16	3.043
F630	630	635	670	695	30	11	24	3.188
F650	650	655	690	715	30	11	24	3.284
F700	700	705	750	785	40	11	24	3.525
F750	750	755	800	835	40	11	24	5.085
F800	800	805	850	885	40	11	24	5.406
F850	850	855	900	935	40	11	24	5.727
F900	900	905	950	985	40	11	24	6.048
F950	950	955	1000	1035	40	11	24	6.370
F1000	1000	1005	1050	1085	40	11	24	6.691
F1250	1250	1255	1300	1335	40	11	28	6.850

